

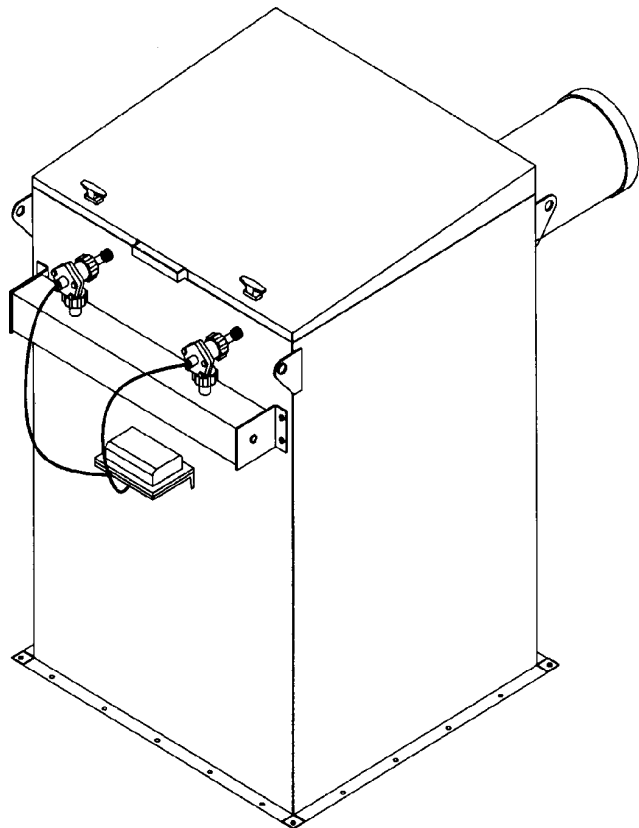


**Includes Illustrations
and Replacement
Parts**

Replacement Parts List

Bin Vent

Models TBV-2, TBV-4, and TBV-6



*Illustrations are for reference only,
as actual product may vary.*

This manual is property of the owner. Leave with the unit when set-up and start-up are complete. Donaldson Company reserves the right to change design and specifications without prior notice.

RPL AD3860501
Revision 2

Contents

Torit Bin Vent..... 1

Filter/Venturi Assembly..... 3

Power Pack Assembly 5

Exhaust Damper Assembly..... 9

Plenum Silencer Pack..... 10

Delta P Control Assembly..... 11

Pressure Gauge Tubing Assembly 12

Magnehelic® and Photohelic® Gauge Assembly..... 13

Control Box and Timer Assembly 14

Weather Hood Pack 15

Service Notes 16

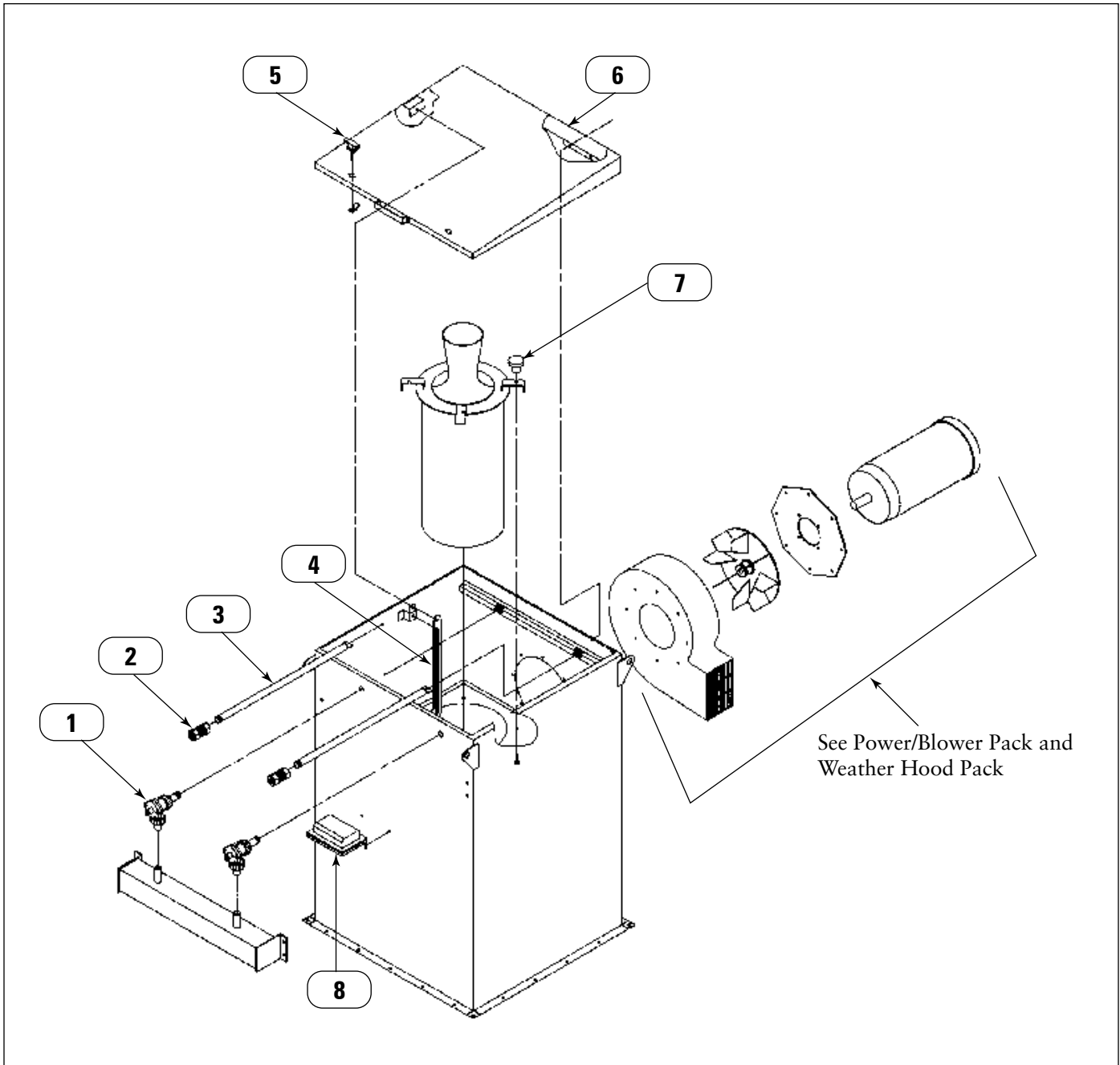
Magnehelic® and Photohelic® are registered trademarks of Dwyer Instruments, Inc.

Data Sheet

Model Number _____	Serial Number _____
Ship Date _____	Installation Date _____
Customer Name _____	
Address _____	

Filter Type _____	
Accessories _____	
Other _____	

Torit Bin Vent



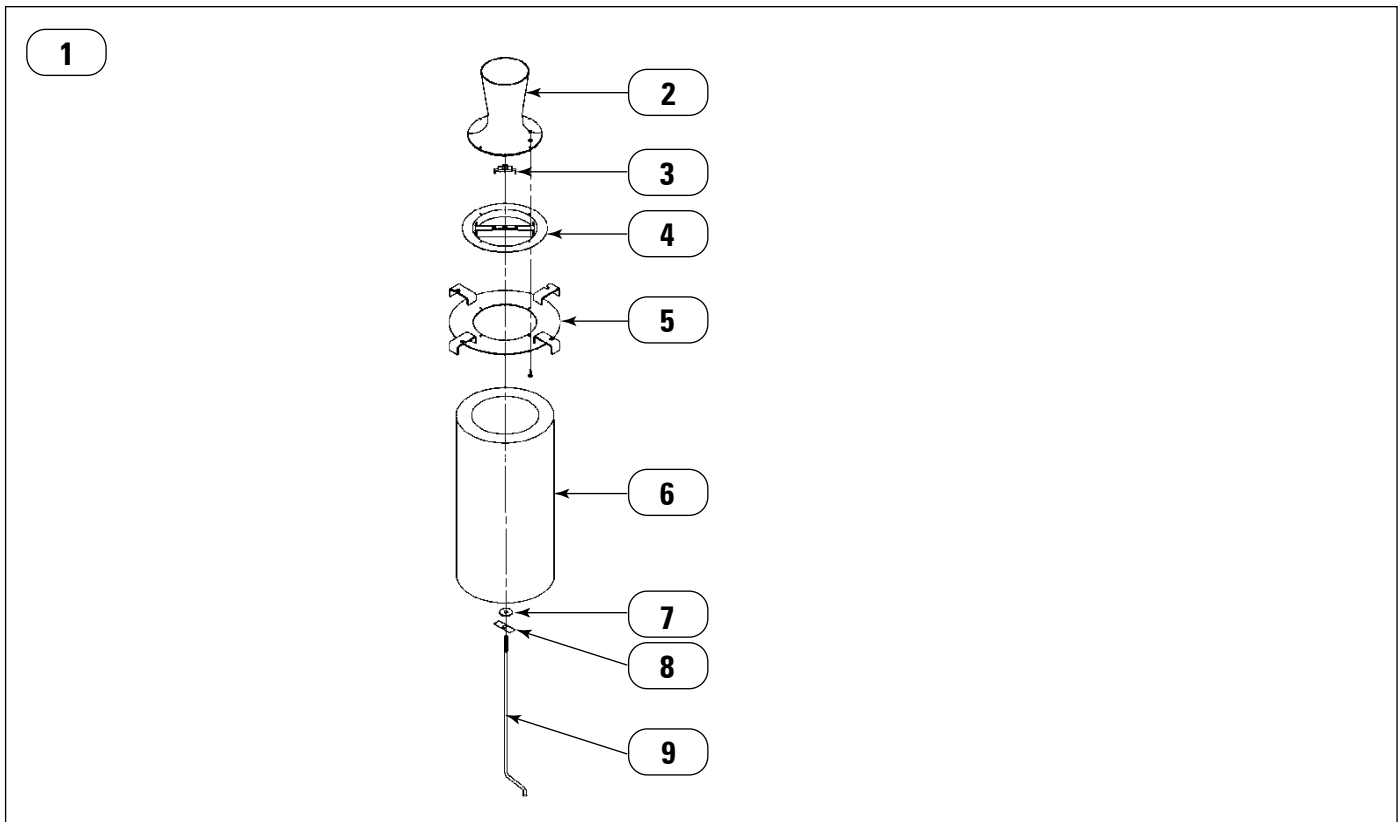
Torit Bin Vent (TBV-4 Powered shown)

*Special Order Part

Item	Part Number	Description	Model
1	2537100	Diaphragm Valve 3/4-in RCA20DD	All
2	4939501*	Coupler and Nipple, Quick Release 3/4 NPT	All
	4939502*	Coupler and Nipple, Quick Release 3/4 NPT, Stainless Steel	All
3	4936500*	Blow Pipe	TBV-2
	4936600*	Blow Pipe	TBV-4, -6
4	5338600*	Slide Bar Linkage Roof Support	All
5	4020202	Latch Vise Action T-Handle	All
6	4936701*	Roof Cover Weld	TBV-2
	4936702*	Roof Cover Weld	TBV-4
	4936703*	Roof Cover Weld	TBV-6
7	1791900	Knob Hand 2.38 Diameter with 3/8-16 UNC	All
8	4894802*	Solenoid Valve Enclosure Assembly, 3 Valve, 115VAC NH 1/8 NPT (NEMA 4)	All
	3776004*	Solenoid Valve Enclosure Assembly, 3 Valve, 115VAC NH 1/8 NPT (NEMA 7)	All

*Special Order Part

Filter/Venturi Assembly



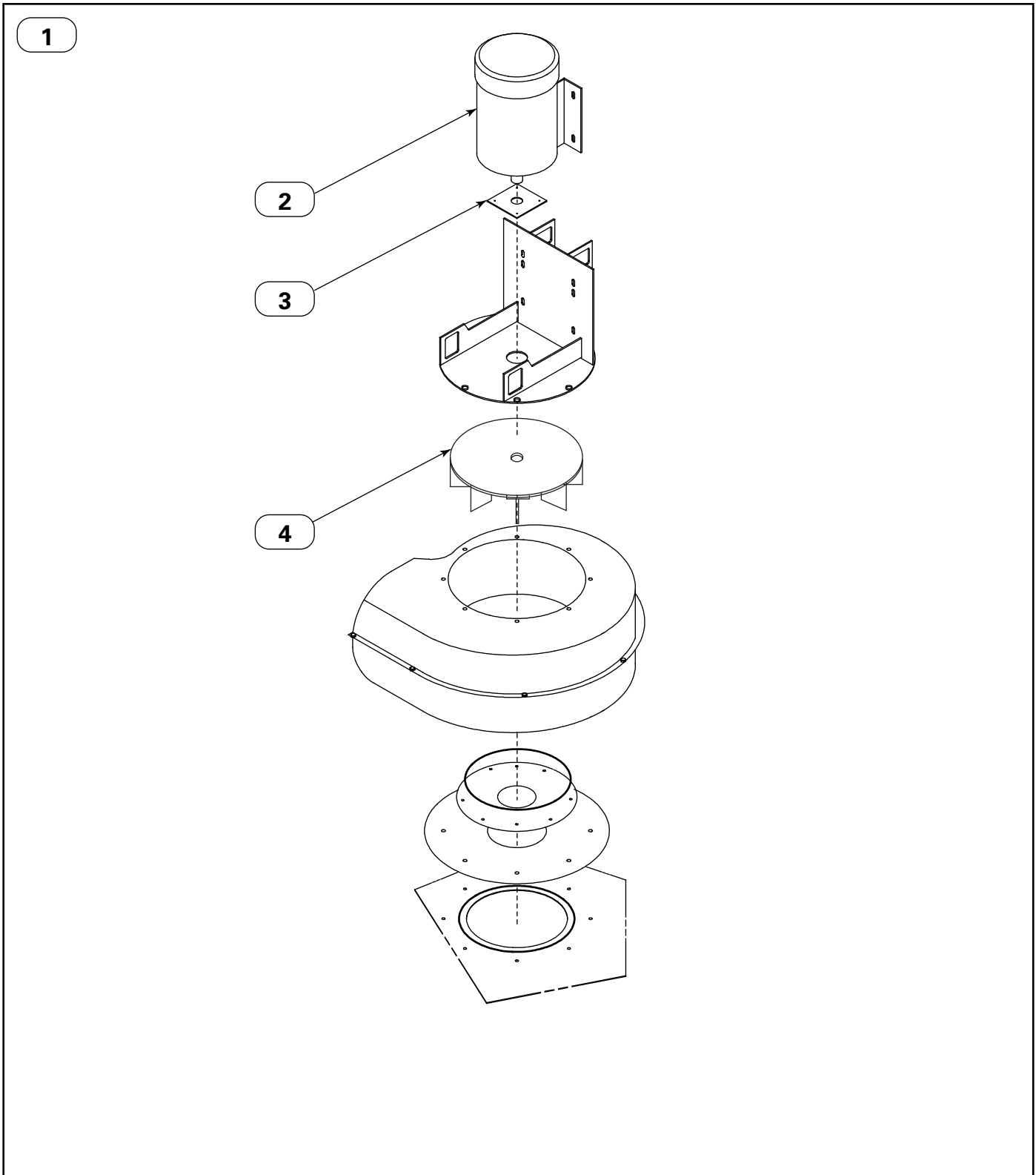
Filter/Venturi Assembly

Item	Part Number	Description	Model
1	4933900	Filter/Venturi Assembly	All
2	1877300	Venturi Poly 4.25 Throat	All
3	2476700*	Quick Nut Assembly	All
4	2529701*	Bracket Collar Weld Q Nut TTD Steel	All
5	4934100*	Filter Hold Down Collar	All
6	P131912-016-340	Filter Element, Cellulex®	All
	P134507-016-340	Filter Element, Cellulux FR	All
	P145891-016-436	Filter Element, Ultra-Web®	All
	P527078-016-436	Filter Element, Ultra-Web FR	All
	P190837-016-426	Filter Element, Ultra-Tek®	All
	P191137-016-431	Filter Element, Fibra-Web®	All
7	1905400	Filter Gasket Washer with Rubber Back	All
8	2052900	Tab Grounding, Element	All
9	1935701	Filter, Crank	All
Not Illustrated			
	4178600	Cartridge Hardware Kit	All

*Special Order Part

This Page Intentionally Left Blank

Power Pack Assembly



Power Pack Assembly

*Special Order Part

Item	Part Number	Description
1	7471201*	Power Pack Assembly, 1 Hp, TEFC, 208/230/460/60/3, Aluminum
	7471202*	Power Pack Assembly, 1 Hp, EP, 230/460/60/3, Aluminum
	7471204*	Power Pack Assembly, 1 Hp, EP, 575/60/3, Aluminum
	7471205*	Power Pack Assembly, 1 Hp, TEFC, 575/60/3, Aluminum
	7485401*	Power Pack Assembly, 1 Hp, TEFC, 230/400/50/3, Aluminum
	7485402*	Power Pack Assembly, 1 Hp, EP, 230/400/50/3, Aluminum
	7471301*	Power Pack Assembly, 2 Hp, TEFC, 208-230/460/60/3, Aluminum
	7471302*	Power Pack Assembly, 2 Hp, EP, 230/460/60/3, Aluminum
	7471304*	Power Pack Assembly, 2 Hp, EP, 575/60/3, Aluminum
	7471305*	Power Pack Assembly, 2 Hp, TEFC, 575/60/3, Aluminum
	7485501*	Power Pack Assembly, 2 Hp, TEFC, 230/400/50/3, Aluminum
	7485502*	Power Pack Assembly, 2 Hp, EP, 230/400/50/3, Aluminum
	7471401*	Power Pack Assembly, 3 Hp, TEFC, 208-230/460/60/3, Aluminum
	7471402*	Power Pack Assembly, 3 Hp, EP, 230/460/60/3, Aluminum
	7471404*	Power Pack Assembly, 3 Hp, EP, 575/60/3, Aluminum
	7471405*	Power Pack Assembly, 3 Hp, TEFC, 575/60/3, Aluminum
	7485601*	Power Pack Assembly, 3 Hp, TEFC, 230/400/50/3, Aluminum
	7485602*	Power Pack Assembly, 3 Hp, EP, 230/400/50/3, Aluminum
	7471501*	Power Pack Assembly, 5 Hp, TEFC, 208-230/40/60/3, Aluminum
	7471502*	Power Pack Assembly, 5 Hp, EP, 230/460/60/3, Aluminum
	7471503*	Power Pack Assembly, 5 Hp, EP, 200/60/3, Aluminum
	7471504*	Power Pack Assembly, 5 Hp, EP, 575/60/3, Aluminum
	7471505*	Power Pack Assembly, 5 Hp, TEFC, 575/60/3, Aluminum
	7485701*	Power Pack Assembly, 5 Hp, TEFC, 230/400/50/3, Aluminum
	7485702*	Power Pack Assembly, 5 Hp, EP, 230/400/50/3, Aluminum

*Special Order Part

Power Pack Assembly

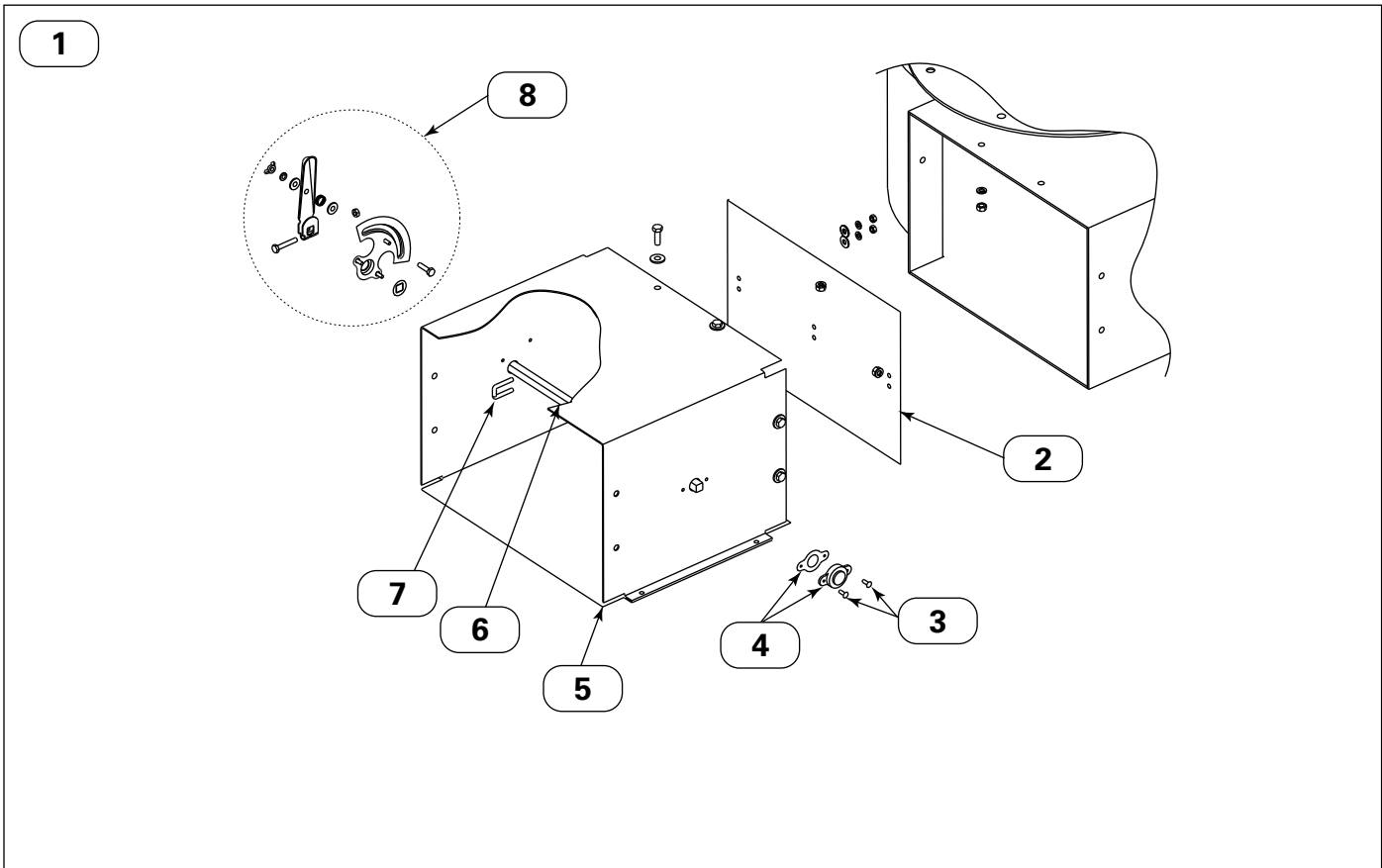
Item	Part Number	Description
2	2279500*	Motor, 1 Hp, TEFC, 3450, 208-230/460/60/3, 56C Frame, 0.625-in Shaft
	7490401*	Motor, 1 Hp, EP, 3450, 230/460/60/3, 56C Frame, 0.625-in Shaft
	7489201*	Motor, 1 Hp, EP, 3450, 575/60/3, 56 Frame, 0.625-in Shaft
	2095000*	Motor, 1 Hp, TEFC, 3450, 575/60/3, 56 Frame, 0.625-in Shaft
	7489701*	Motor, 1 Hp, EP, 2850, 230/400/50/3, D80 Frame, 19mm Shaft
	4824700*	Motor, 1 Hp, TEFC, 2850, 230/400/50/3, 80 Frame, 19mm Shaft
	7489001*	Motor, 2 Hp, TEFC, 3450, 208-230/460/60/3, 56C Frame, 0.625-in Shaft
	7490901*	Motor, 2 Hp, EP, 3450, 230/460/60/3, 56C Frame, 0.875-in Shaft
	7489301*	Motor, 2 Hp, EP, 3450, 575/60/3, 145T Frame, 0.875-in Shaft
	7490701*	Motor, 2 Hp, TEFC, 3450, 575/60/3, 145T Frame, 0.875-in Shaft
	7489801*	Motor, 2 Hp, EP, 2850, 230/400/50/3, D90S Frame, 19mm Shaft
	4532000*	Motor, 2 Hp, TEFC, 2850, 230/400/50/3, 90S Frame, 24mm Shaft
	7489101*	Motor, 3 Hp, TEFC, 3450, 208-230/460, 56C Frame, 0.625-in Shaft
	7490301*	Motor, 3 Hp, EP, 3450, 230/460/60/3, 182T Frame, 1.125-in Shaft
	4059000*	Motor, 3 Hp, TEFC, 3450, 575/60/3, 145T Frame, 0.375-in Shaft
	7489901*	Motor, 3 Hp, TEFC, 2850, 230/400/50/3, D90L Frame, 24mm Shaft
	4769800*	Motor, 3 Hp, TEFC, 2850, 230/400/50/3, 90L Frame, 24mm Shaft
	1349500*	Motor, 5 Hp, TEFC, 3450, 208-230/460/60/3, 184T Frame, 1.125-in Shaft
	4770600*	Motor, 5 Hp, EP, 3450, 230/460/60/3, 184T Frame, 1.125-in Shaft
	4771300*	Motor, 5 Hp, TEFC, 3450, 200/60/3, 184T Frame, 1.125-in Shaft
	4770700*	Motor, 5 Hp, EP, 3450, 575/60/3, 184T Frame, 1.125-in Shaft
	2213700*	Motor, 5 Hp, TEFC, 3450, 575/60/3, 184T Frame, 1.125-in Shaft
	7490001*	Motor, 5 Hp, EP, 2850, 230/460/50/3, D112M Frame, 28mm Shaft
	4771000*	Motor, 5 Hp, TEFC, 2850, 230/460/50/3, 112M Frame, 28mm Shaft

*Special Order Part

Item	Part Number	Description	Model
3	7487602*	Shaft Seal, Teflon, 3 x 3-in, TEFC Only	TRB-1, 50 Hz
	3626818*	Shaft Seal, Teflon, 5 x 5 x 24mm	TRB-2, -3, 50 Hz
	3626819*	Shaft Seal, Teflon	TRB-5, 50 Hz
	7487601*	Shaft Seal, Teflon, 3 x 3-in, EP Only	TRB-2, 60 Hz
	3626805*	Shaft Seal, Teflon, 5 x 5 (EP Only - 3 Hp)	TRB-3, -5, 60 Hz
	4	7487101*	Wheel, 11.00-in, Aluminum
7488501*		Wheel, 12.00-in, Aluminum	TRB-1, 50 Hz
7487701*		Wheel, 11.00-in, Aluminum, TEFC	TRB-2, 60 Hz
7487702*		Wheel, 11.00-in, Aluminum, EP	TRB-2, 60 Hz
7487803*		Wheel, 13.00-in, Aluminum	TRB-2, 50 Hz
7487801*		Wheel, 13.00-in, Aluminum, TEFC	TRB-3, 60 Hz
7487802*		Wheel, 13.00-in, Aluminum, EP	TRB-3, 60 Hz
7483602*		Wheel, 14.25-in, Aluminum	TRB-3, 50 Hz
7485301*		Wheel, 14.00-in, Aluminum	TRB-5, 60 Hz
7488601*		Wheel, 15.50-in, Aluminum	TRB-5, 50 Hz

*Special Order Part

Exhaust Damper Assembly

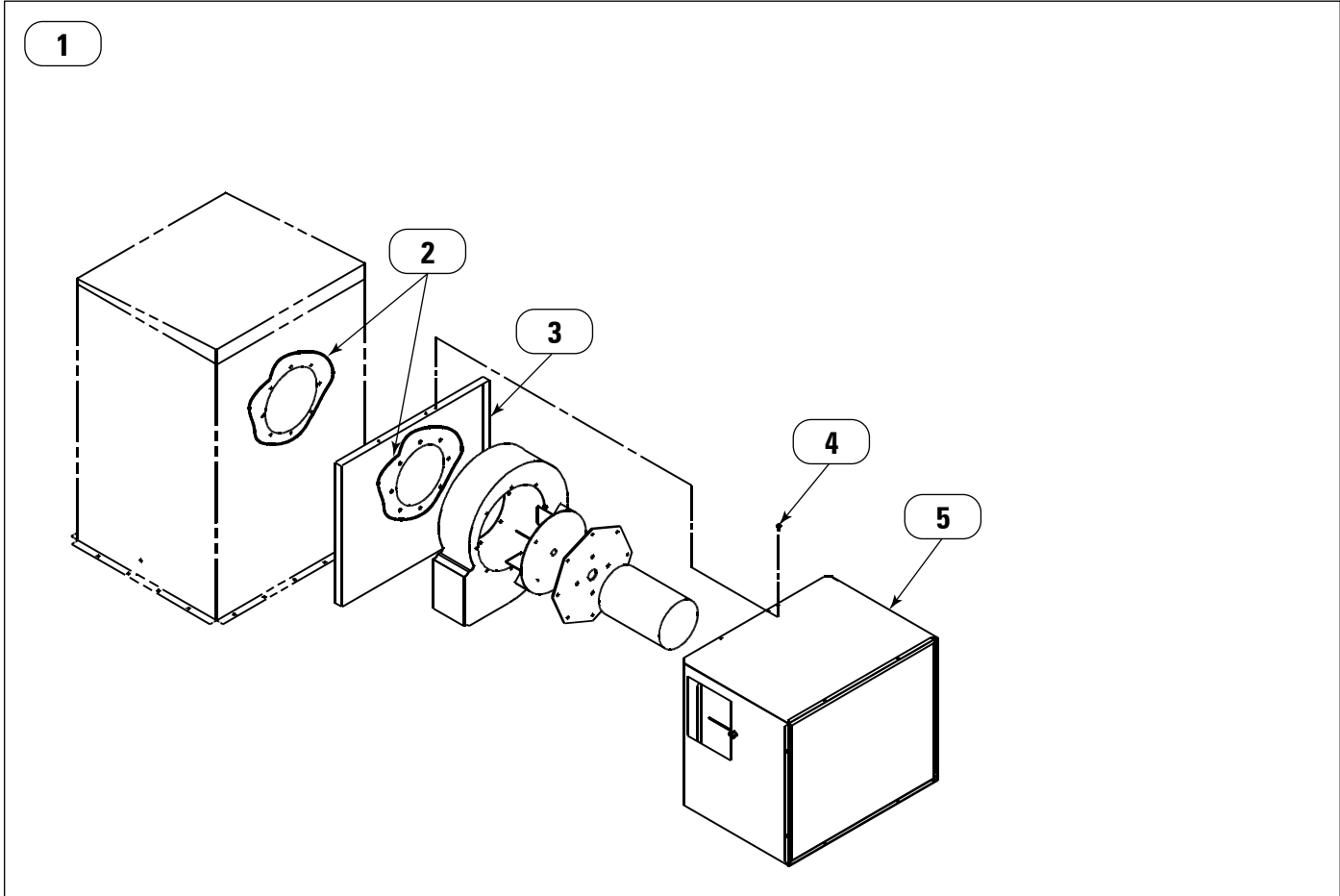


Exhaust Damper Assembly

Item	Part Number	Description	Model
1	2728306*	Damper Assembly, 1 and 2 Hp	All
	2728301*	Damper Assembly, 3 Hp	All
	2728302*	Damper Assembly, 5 Hp	All
2	2728006*	Damper Weld, 1 and 2 Hp	All
	2728001*	Damper Weld, 3 Hp	All
	2728002*	Damper Weld, 5 Hp	All
3	2968800*	Shaft Gate, 1 and 2 Hp	All
	2341700*	Shaft Gate, 3 and 5 Hp	All
4	2968900*	Gate Damper 1 and 2 Hp	All
	2341600*	Gate Damper 3 Hp	All
	2344700*	Gate Damper 5 Hp	All
5	AD3547401*	Shaft Lock Assembly 1/2-in Square	All
6	2028500*	Bearing 1/2-in Closed End	All
7	0918713*	Pop Rivet 3/16-in	All

*Special Order Part

Plenum Silencer Pack

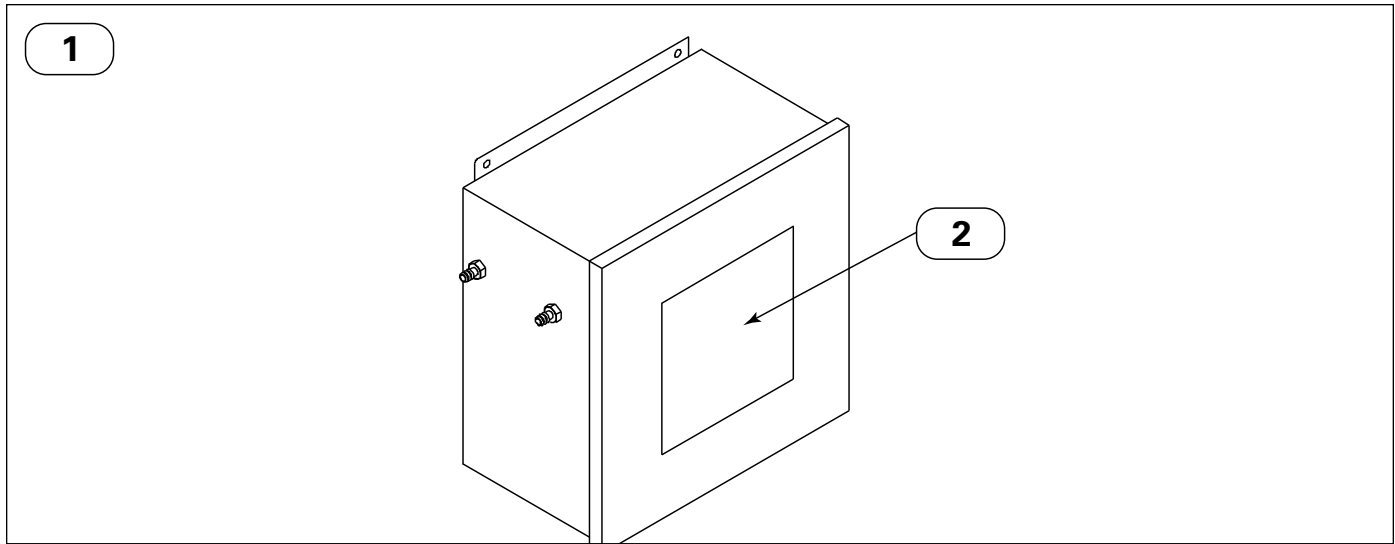


Plenum Silencer Pack

Item	Part Number	Description	Model
1	4939402*	Plenum Silencer Pack	All
2	0509700	1/4-in Diameter Rope-Type Sealant	All
3	2727500*	Adapter Silencer Top Mount	All
4	0903505	Screw, Hex Washer Head Self Drilling 1/4-14 Zinc Plated	All
5	2604700*	Plenum Silencer Final Assembly	All

*Special Order Part

Delta P Control Assembly

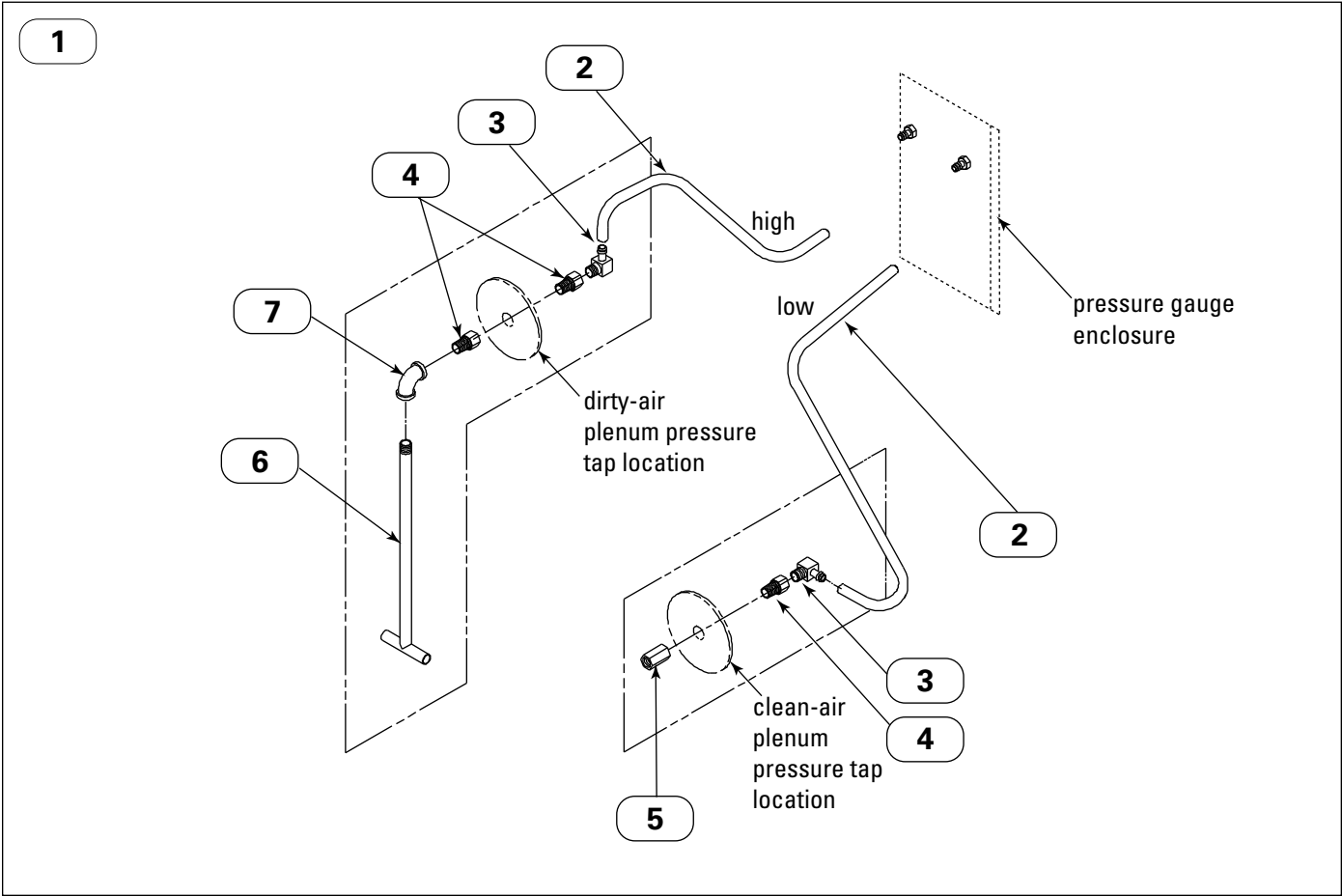


Delta P Control Assembly

Item	Part Number	Description	Model
1	7536802*	Delta P Control Assembly, No Timer, 110 Volt	All
	7536803*	Delta P Control Assembly, No Timer, 220 Volt	All
	7536902*	Delta P Control with Timer Assembly, 3-Pin	All
	7851601*	Delta P Pressure Control Box	
	7851701*	Delta P Pressure Control Box	
	AD3411301*	Delta P Plus Control Assembly, No Timer, 110 Volt	All
	AD3411302*	Delta P Plus Control Assembly, No Timer, 220 Volt	All
	AD3411402*	Delta P Plus Control with Timer Assembly, 3-Pin, 110 Volt	All
	AD3410701*	Delta P Plus Control Box	All
	AD3410801*	Delta P Plus Control Box	All
2	7508201*	Delta P Control Board	All
	7053601*	Delta P Plus Control Board	All
Not Illustrated			
	AD3380901*	Dustronics Control	All
	1906100*	Timer, 3-Pin	All
	AD3380501	Control Box	All

*Special Order Part

Pressure Gauge Tubing Assembly

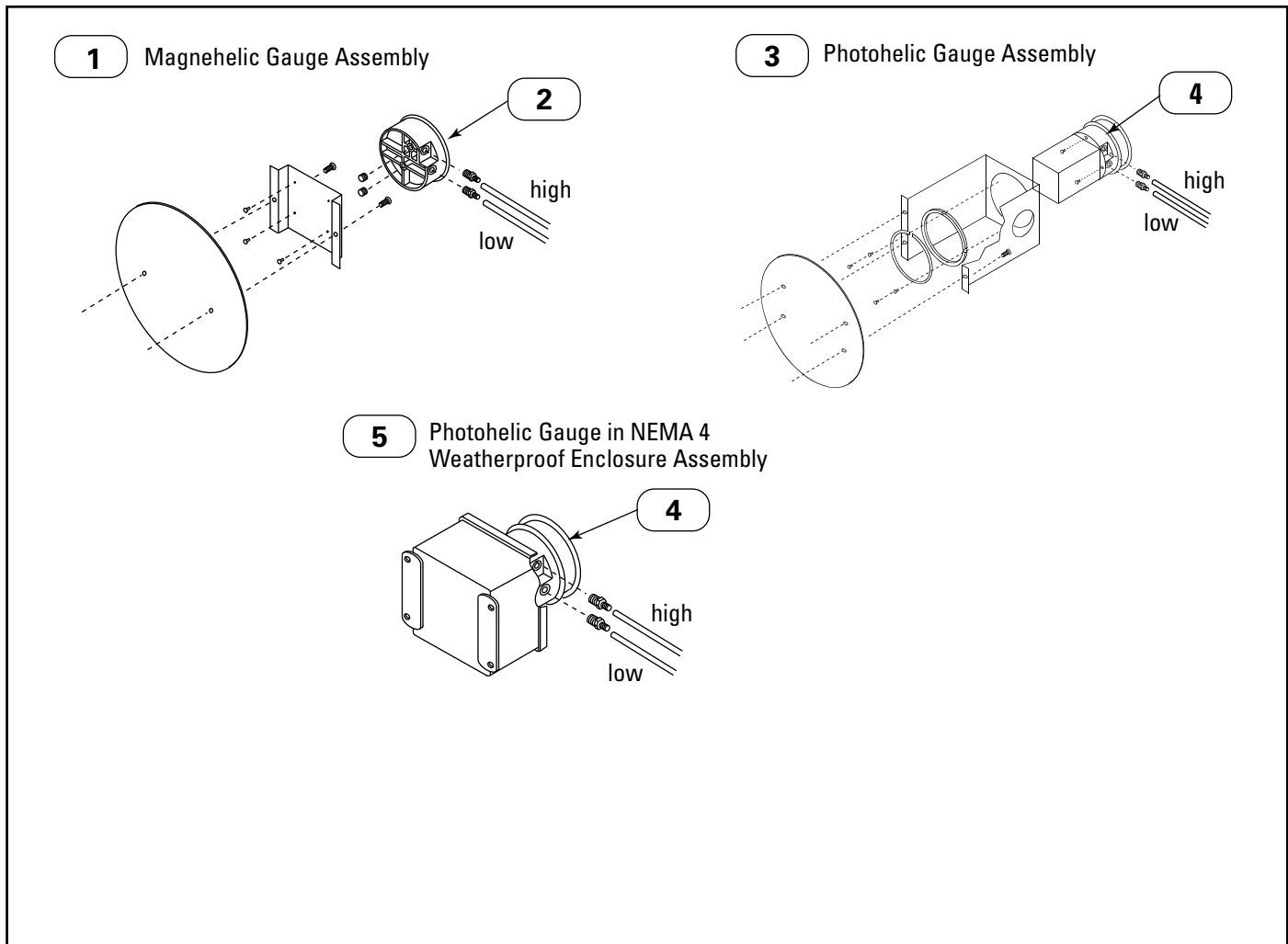


Pressure Gauge Tubing Assembly

Item	Part Number	Description	Model
1	9502001	Pressure Tap Installation Kit	All
2	2334200	Plastic Tubing, Vinyl, 3/16-in ID, 5/16-in OD	All
3	1647700	1/8-in NPT x 3/16-in Barb Plastic Tubing Male 90° Elbow	All
4	2157400	1/8-in NPT x 1/8-in FPT Adapter	All
5	1846300	1/8-in NPT Female Coupling	All
6	2324501	Static Pressure Tee, Brass	All
7	2326000	1/8-in x 90° Brass Female Elbow	All

*Special Order Part

Magnehelic® and Photohelic® Gauge Assembly

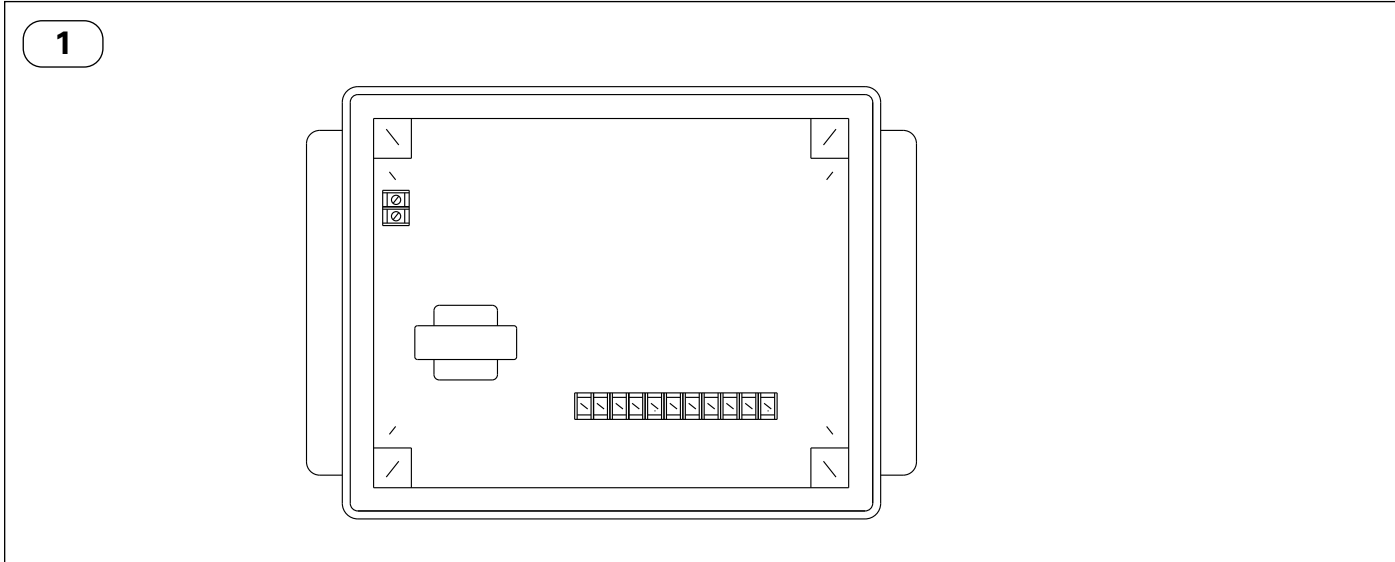


Magnehelic and Photohelic Gauge Assembly

Item	Part Number	Description	Model
1	3739901*	Magnehelic Pack, Inches	All
	3739902*	Magnehelic Pack, Millimeters	All
2	1647500*	Magnehelic Gauge, Inches	All
	3566500*	Magnehelic Gauge, Millimeters	All
3	2335200*	Photohelic Gauge Assembly	All
4	1939600	Photohelic Gauge	All
5	4008500*	Photohelic Gauge in NEMA 4 Weatherproof Enclosure Assembly	All
Not Illustrated			
	2324600*	Magnehelic Gauge Mounting Panel	All
	2335300*	Photohelic Gauge Mounting Panel	All

*Special Order Part

Control Box and Timer Assembly

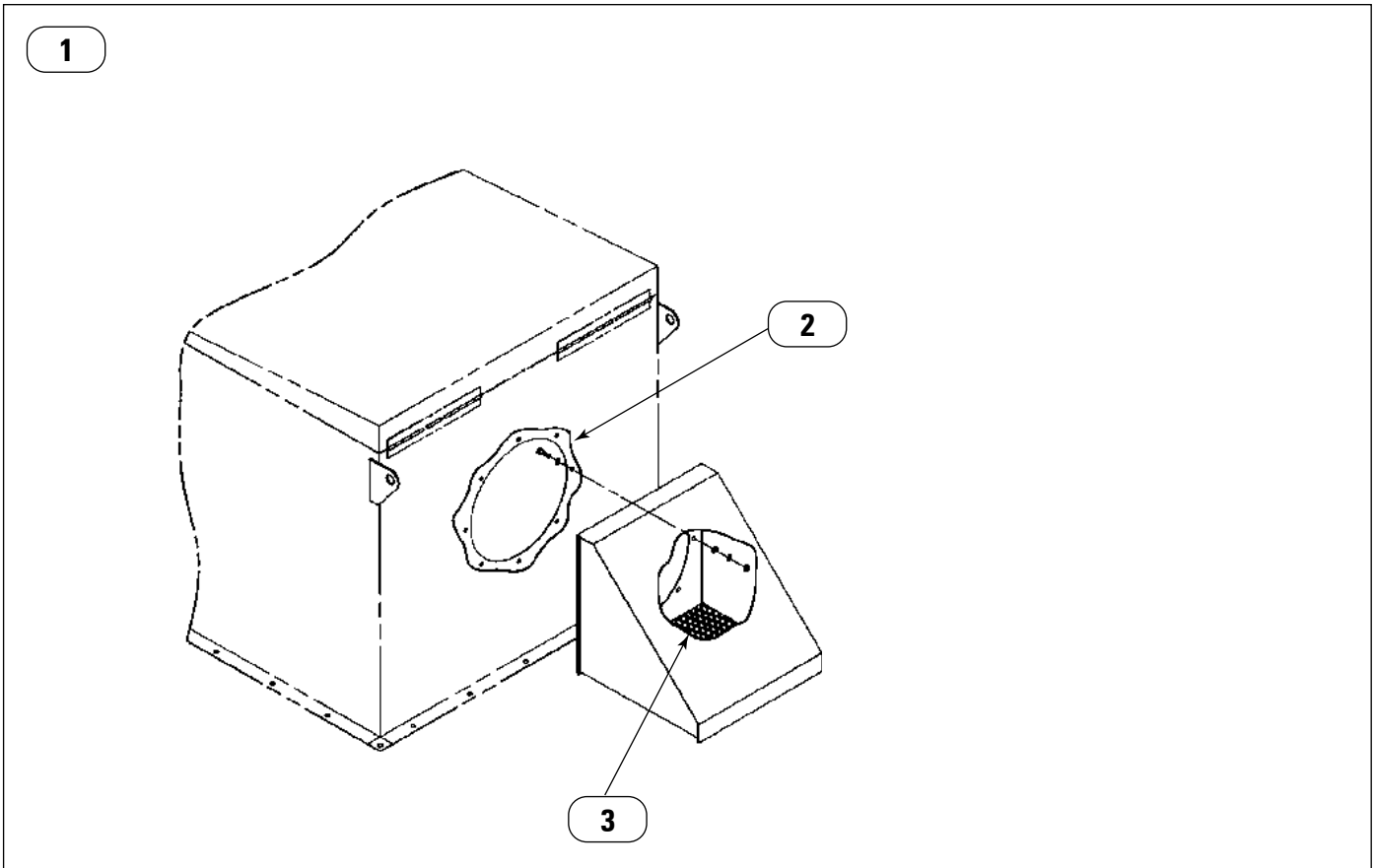


Control Box and Timer Assembly

Item	Part Number	Description	Model
1	2367700*	Control Box and Timer Assembly	All
Not Illustrated			
	1905700	Control Box	All
	1906100	Timer, 3-Pin	All
	2366101	Wiring Diagram, 3-Pin	All

*Special Order Part

Weather Hood Pack



Weather Hood Pack

Item	Part Number	Description	Model
1	4936400*	Weather Hood Pack	All
2	0509700	1/4-in Diameter Rope Type Sealant	All
3	4937200*	Weather Hood Weld with Screen	All

*Special Order Part

The Donaldson Torit Warranty

Donaldson warrants to the original purchaser that the major structural components of the goods will be free from defects in materials and workmanship for ten (10) years from the date of shipment, if properly installed, maintained and operated under normal conditions. Donaldson warrants all other Donaldson built components and accessories including Donaldson Airlocks, TBI Fans, TRB Fans, Fume Collector products, Donaldson built electrical control components and Donaldson built Afterfilter housings for twelve (12) months from date of shipment. Donaldson warrants Donaldson built filter elements to be free from defects in materials and workmanship for eighteen (18) months from date of shipment. Donaldson does not warrant against damages due to corrosion, abrasion, normal wear and tear, product modification, or product misapplication. Donaldson also makes no warranty whatsoever as to any goods manufactured or supplied by others including electric motors, fans and control components. After Donaldson has been given adequate opportunity to remedy any defects in material or workmanship, Donaldson retains the sole option to accept return of the goods, with freight paid by the purchaser, and to refund the purchase price for the goods after confirming the goods are returned undamaged and in usable condition. Such a refund will be in the full extent of Donaldson's liability. Donaldson shall not be liable for any other costs, expenses or damages whether direct, indirect, special, incidental, consequential or otherwise. The terms of this warranty may be modified only by a special warranty document signed by a Director, General Manager or Vice President of Donaldson. Failure to use genuine Donaldson replacement parts may void this warranty. THERE EXIST NO OTHER REPRESENTATIONS, WARRANTIES OR GUARANTEES EXCEPT AS STATED IN THIS PARAGRAPH AND ALL OTHER WARRANTIES INCLUDING MERCHANTABILITY AND FITNESS FOR A PARTICULAR PURPOSE, WHETHER EXPRESS OR IMPLIED ARE HEREBY EXPRESSLY EXCLUDED AND DISCLAIMED.

Parts and Service

For genuine Donaldson replacement filters
and parts, call the Parts Express Line

800-365-1331 USA

800-343-3936 within Mexico

www.donaldsontorit.com

For faster service, have unit's model and serial number,
quantity, part number, and description available.



Donaldson[®]
Filtration Solutions

Donaldson Company, Inc.
Industrial Air Filtration
P.O. Box 1299
Minneapolis, MN 55440-1299
donaldsontorit@donaldson.com

Donaldson Company, Inc. is the leading designer and manufacturer of dust, mist, and fume collection equipment used to control industrial-air pollutants. Our equipment is designed to help reduce occupational hazards, lengthen machine life, reduce in-plant maintenance requirements, and improve product quality.